

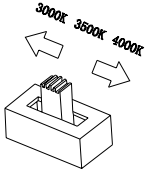
DC Light ApS  
 Handverkerbyen 10  
 DK-2670 Greve  
 Denmark

# Campus D1000 LED Ceiling

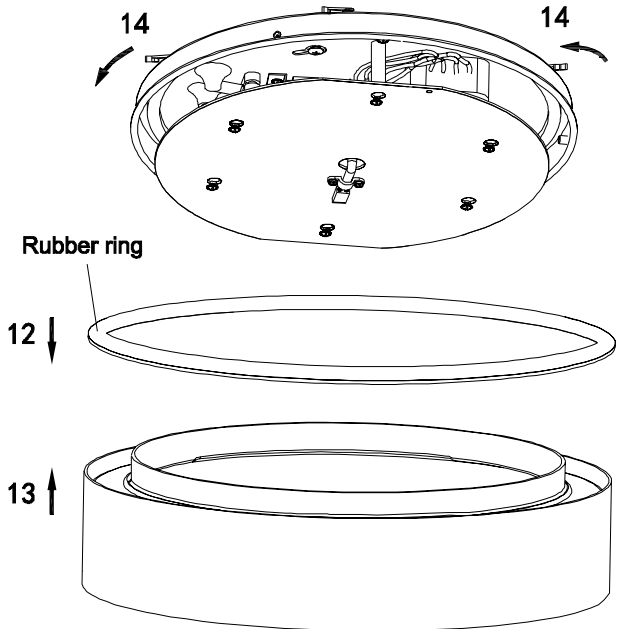
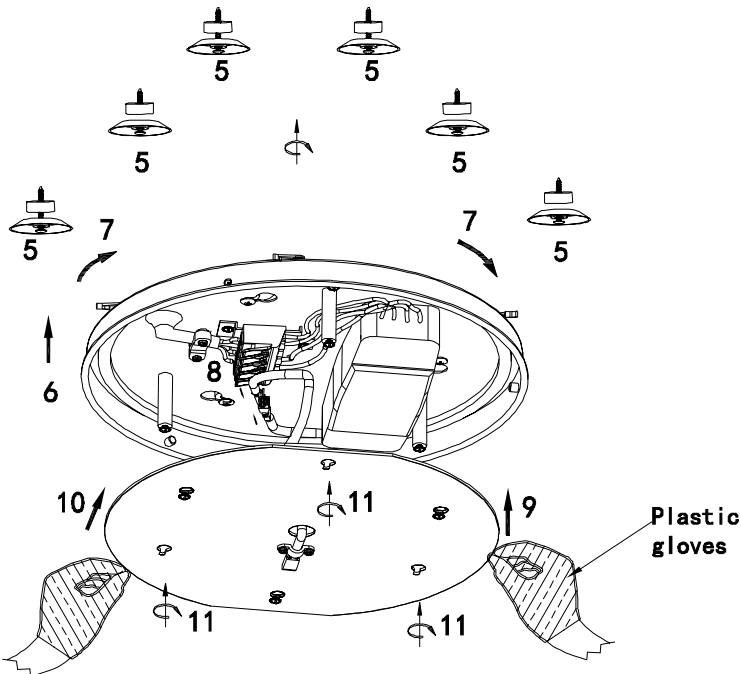
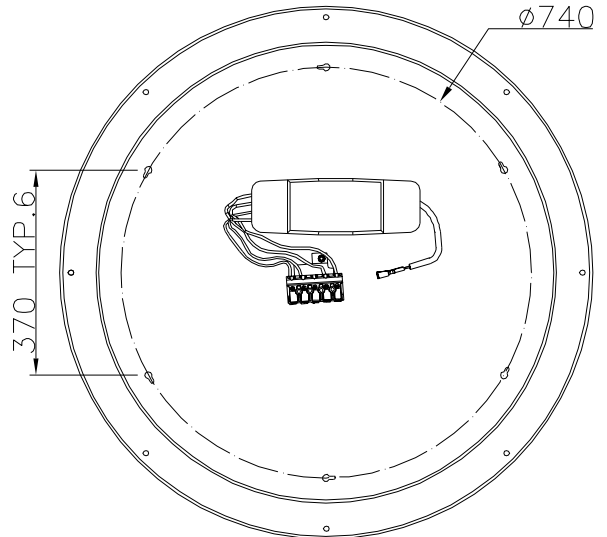
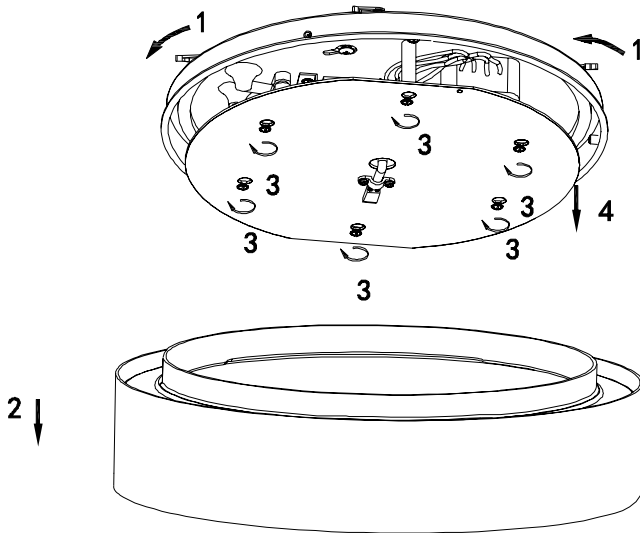


EN60598/CEM2001/108/CE

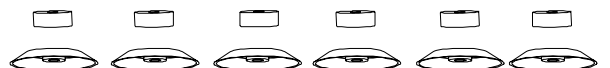
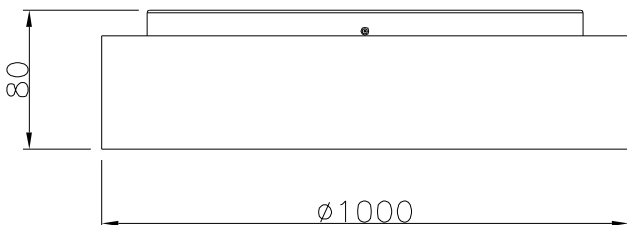
Power: 230V~50Hz  
 IK06-IP44  
 Temp: -20° c/50° c  
 Socket: LED-Platta  
 Lightsource: LED 76W  
 PMMA Diffuser/Iron House



Note: Kelvin change switch is placed inside the luminaire, on the LED plate.  
 Disconnect the power before operation.  
 Settings are 3000K/3500K/4000K, factory setting is 3000K.



Option -No Up Light:  
 A: Remove paper from rubber ring  
 B: Open the diffuser frame and put the rubber ring glowed side to top of the opal edge  
 C: Close the diffuser frame to the body



Plastic gloves